

SolarInvert Energy Solutions

Which photovoltaic site is more popular in Uganda



Overview

A solar company that provides Engineering, Procurement, and Construction of a full solar system. An EPC company provides a full-service experience to seamlessly acquire a solar installation and receive.

Which photovoltaic site is more popular in Uganda



Solar PV project for Uganda to build out energy mix

Construction has started at the 24MWp Ituka Solar PV project in Uganda, located on a 52-hectare site in the West Nile Sub-Region.

[Get Price](#)

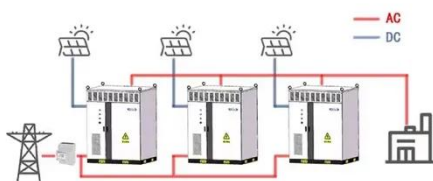
How Solar Mini-Grids Are Transforming Rural Uganda

The expansion of solar mini-grids in Uganda is bolstered by significant international partnerships. The GET ACCESS program, a EUR35 million initiative funded by the German ...



[Get Price](#)

WORKING PRINCIPLE



Off-Grid Solar Energy Market Assessment Brief

Solar photovoltaic (PV) mini-grids are a nascent technology in Uganda; only a few are operational, such as the Kitobo solar power plant in Kalangala district. Most solar PV mini-grid business ...

[Get Price](#)

5 Top Solar Companies in Uganda · September 2025 , F6S

Detailed info and reviews on 5 top Solar companies and startups in Uganda in 2025. Get the latest updates on their products, jobs, funding, investors, founders and more.

[Get Price](#)



Solar Energy Companies in Uganda: Key Players & Market Insights

The answer lies in solar energy companies in Uganda that are bridging this gap. In 2023, Uganda's solar market grew by 23% year-over-year, driven by falling technology costs and ...

[Get Price](#)

Nkonge Solar Power Station

The Xsabo Nkonge Power Station (Xsabo Nkonge Solarline) is a US\$22 million 20 MW/AC solar power plant in Uganda that has been registered by the Electricity Regulatory Authority (ERA) ...

[Get Price](#)



EAAIF invests US\$18M in 20 MW solar plant in Northwestern Uganda

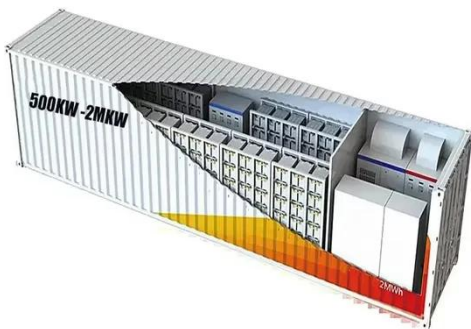
UGANDA--Ninety One's Emerging Africa & Asia Infrastructure Fund (EAAIF) has finalized the financial close for a 20 MW solar photovoltaic (PV) plant in Uganda's

...

[Get Price](#)

Solar PV potential in Uganda by location

Explore the solar photovoltaic (PV) potential across 2 locations in Uganda, from Lira to Kampala. We have utilized empirical solar and meteorological data obtained from NASA's POWER API ...

[Get Price](#)

AMEA Power Starts Solar PV Plant in Uganda

AMEA Power has started a 24MWp Solar Photovoltaic (PV) project in Uganda. The Emerging Africa Infrastructure Fund (EAIF) secured ...

[Get Price](#)

Adoption of solar photovoltaic systems in households: Evidence from Uganda

Description: With over 70% of households without access to clean energy, Uganda presents a huge

potential for increased adoption of solar photovoltaic (PV) technologies. However, their ...

[Get Price](#)



Uganda's Grid-Connected Solar Portfolio increases

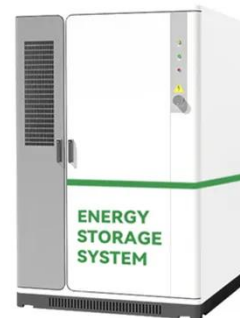
Uganda's Solar Energy production has increased following the addition of 10 MWp to the national grid, with the commissioning of the Bufulubi Power Plant in Mayuge District on ...

[Get Price](#)

Empowering the solar energy landscape: The techno

Findings (Table 4, Table 5 and Fig. 1 a) show that northern Uganda has the highest potential for producing solar PV power, whereas Central and Western Uganda have the lowest ...

[Get Price](#)



Uganda Solar Installation Capacity Growth Trends

In conclusion, Uganda's solar energy sector has experienced a positive trajectory with increasing solar PV installations, a growing market size, and

government support in the ...

[Get Price](#)



Starting a Solar Energy Products Sales and ...

Are you interested in launching a solar energy products sales and installation business in Uganda? With the increasing demand for clean ...

[Get Price](#)



List Of Solar Companies In Uganda

Solar power is simply usable energy generated from the sun in the form of electric or thermal energy. Solar energy is captured in a variety of ways, the most common of which is with a ...

[Get Price](#)

Nexa Solar - Sustainable Energy Accessible to all

Founded in Kampala, Nexa Solar emerged from a vision to make sustainable energy accessible to all. Over the years, we have evolved into a

pioneering ...

[Get Price](#)



Village Energy - Community Solar Experts

Kampala, Uganda "Village Energy fixed the PV system in the restaurant Palm Garden in Gulu where I am working. The old system in place had some ...

[Get Price](#)

Overview of Opportunities and Challenges of Solar ...

ABSTRACT The purpose of this paper is to provide an overview of the opportunities and challenges of solar photovoltaic (PV) promotion in Uganda. The study followed a review ...

[Get Price](#)



Building Energy S.p. A celebrates start of production ...

Consisting of 32,240 photovoltaic panels distributed over a 14 hectare site, the facility is designed to generate around 16 GWh of energy ...

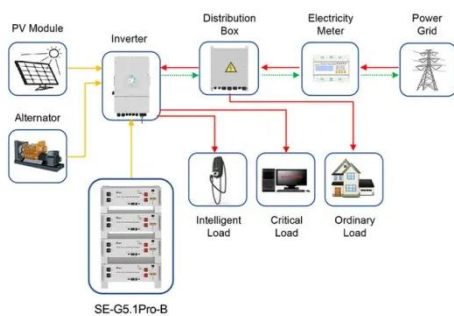
[Get Price](#)



Adoption of solar photovoltaic systems in households: ...

Description: With over 70% of households without access to clean energy, Uganda presents a huge potential for increased adoption of solar photovoltaic ...

[Get Price](#)



Application scenarios of energy storage battery products

Rooftop Solar Power in Uganda: Changing Lives, One Family at ...

To analyse the potential usage and investment needs of installing rooftop solar PV on different structures, the Municipality of Kasese in Uganda received IRENA's support ...

[Get Price](#)

Uganda Solar Installation Capacity Growth Trends

In conclusion, Uganda's solar energy sector has experienced a positive trajectory with increasing solar PV installations, a growing market ...

[Get Price](#)



Contact Us

For catalog requests, pricing, or partnerships, please visit:
<https://barkingbubbles.co.za>