

SolarInvert Energy Solutions

Taipei Photovoltaic Energy Storage Power Station



Overview

Established as the first “solar power storage system”, the storage system, which officially opened today (January 6), integrates green energy and boasts a capacity of 20 MW (megawatts), making it the largest storage system in Taiwan.

Taipei Photovoltaic Energy Storage Power Station



Photovoltaic-energy storage-integrated charging station ...

The results provide a reference for policymakers and charging facility operators. In this study, an evaluation framework for retrofitting traditional electric vehicle charging stations ...

[Get Price](#)

Enhancing grid stability: Taipower launches new 60-MW energy storage

It stores abundant solar energy generated during the day and discharges it in the evening when sunlight diminishes rapidly, playing a vital role in stabilizing the power supply during nighttime ...



[Get Price](#)

Applying Photovoltaic Charging and Storage Systems: ...

The photovoltaic storage system is the amalgamation of software and hardware, integrating solar energy, energy storage, electric vehicle ...



[Get Price](#)

Taiwan's most famous building, Taipei 101, to participate

Enel X will integrate Taipei 101's energy load into its VPP to offer critical electricity grid services to Taiwan Power Company's (TPC) Energy Trading Platform, to balance ...

[Get Price](#)



Energy Storage Promotion Strategies and Development in ...

stabilize grid and power supply during peak hours. The targets for energy storage have been set to achieve 1,500 MW by 2025, and 5,500 MW by 2030. We look forward to further exchanges of ...

[Get Price](#)

ECOVE, a CTCI Company, Builds Taipei's Largest Rooftop ...

In response to the government's promotion for renewable energy, the Taipei Metro selected its Beitou Depot to install solar modules, the first and largest photovoltaic construction of the ...

[Get Price](#)



Solar energy

Solar power is generated in two main ways: Solar photovoltaic (PV) uses electronic devices, also called solar cells, to convert sunlight directly into

electricity. It is one of the fastest-growing ...

[Get Price](#)



Enhancing grid stability: Taipower launches new 60-MW energy ...

It stores abundant solar energy generated during the day and discharges it in the evening when sunlight diminishes rapidly, playing a vital role in stabilizing the power supply during nighttime ...

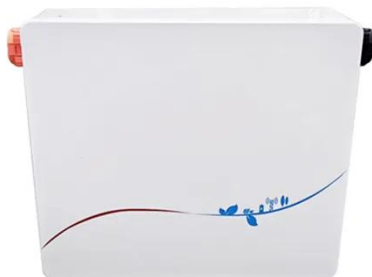
[Get Price](#)



China expands world's highest solar power station to ...

As a pivotal project for power supply in Xizang, the Caipeng photovoltaic power station will ultimately reach a total installed capacity of 150 ...

[Get Price](#)



Environmental Impact Assessment: Storing power for a rainy day

To avoid wasting surplus electricity generated on cold days, when wind turbines spin but demand is low, and to

ensure there's sufficient power even after dark, Taiwan is ...

[Get Price](#)



Efficient energy storage technologies for photovoltaic systems

For photovoltaic (PV) systems to become fully integrated into networks, efficient and cost-effective energy storage systems must be utilized together with intelligent demand side ...

[Get Price](#)

Taipei Energy Conservation New Energy Photovoltaic Energy Storage

As the island phases out nuclear power and faces challenges in integrating solar energy with storage solutions, it is also tackling regulatory and land-use hurdles to expand its solar capacity.

[Get Price](#)



ATE Energy expands green energy and marine projects in the ...

As the global energy transition accelerates, Taiwan's ATE Energy is rapidly expanding its renewable energy



and marine engineering operations, with significant progress ...

[Get Price](#)

Billion Watts Leads Taiwan's Energy Storage ...

With a storage capacity sufficient to power approximately 26,000 households daily, the facility serves as a crucial safeguard against energy ...

[Get Price](#)

Home Energy Storage (Stackble system)



- 
High Efficiency
- 
Easy installation
- 
Safe and Reliable
- 
Perfect Compatibility

- Product Introduction**
- Scalable from 10 kWh to 50 kWh
 - Self-Consumption Optimization
 - Integrated with inverter to avoid the compatibility problem
 - LFP battery, safest and long cycle life
 - Stackable design, effortless installation
 - Capable of High-Powered Emergency Backup and Off-Grid Function



Environmental Impact Assessment: Storing power for a rainy day

To avoid wasting surplus electricity generated on cold days, when wind turbines spin but demand is low, and to ensure there's sufficient power even after dark, Taiwan is ...

[Get Price](#)

Taiwan's most famous building, Taipei 101, to ...

Enel X will integrate Taipei 101's energy load into its VPP to offer critical electricity grid services to Taiwan Power Company's (TPC) Energy ...

[Get Price](#)



China's largest tidal flat photovoltaic energy storage station ...

The largest tidal flat photovoltaic energy storage station in China, constructed by Huadian Laizhou Power Generation Co Ltd. on the salt-alkali tidal flats of the shores of Bohai ...

[Get Price](#)

Taiwan Has a 200MW Landfill PV Power Plant in Taipei, and a ...

Led by local governments, solar systems are gradually installed around the island, especially a landfill solar power plant in Taipei and a rooftop PV system in Tainan, in ...

[Get Price](#)



04 Power Systems & Energy Storage

The combination of PV energy and ESS promotes the effective use of feeders, expands the installation of

photoelectricity, and provides power consumption during peak hours at night.

[Get Price](#)



ECOVE, a CTCI Company, Builds Taipei's Largest Rooftop Photovoltaic

In response to the government's promotion for renewable energy, the Taipei Metro selected its Beitou Depot to install solar modules, the first and largest photovoltaic construction of the

...

[Get Price](#)



2mw energy storage power station

When selecting the site of photovoltaic + energy storage power station, try to choose the area with long light time and strong radiation. 3. Design and research of 1.2MW photovoltaic power ...

[Get Price](#)



A review of energy storage technologies for large scale photovoltaic

With this information, together with the

analysis of the energy storage technologies characteristics, a discussion of the most suitable technologies is performed. In addition, this ...

[Get Price](#)



Taiwan Power Company-News-Green Energy + Energy Storage!

After its official launch today, it will not only be the first solar power storage system, but also the largest energy storage system in Taiwan. Taiwan's first solar power plant with energy storage ...

[Get Price](#)

DOE Announces \$289.7 Million Loan Guarantee to

Project Polo will deploy commercial-scale PV and storage to create integrated virtual power plants across 27 states.

[Get Price](#)



Billion Watts Leads Taiwan's Energy Storage Milestone: 64MW E ...

With a storage capacity sufficient to power approximately 26,000 households daily, the facility serves as a crucial safeguard against energy intermittency,



enhancing power ...

[Get Price](#)

New Green Power

Profile Headquartered in Taipei, NGP is a leading solar developer and EPC service provider in Taiwan eyeing the global renewable energy market, and is ...

[Get Price](#)



12.8V 200Ah



Solar Integration: Solar Energy and Storage Basics

Storage helps solar contribute to the electricity supply even when the sun isn't shining by releasing the energy when it's needed.

[Get Price](#)

Solar Photovoltaic Power Plant , PV plants Explained

Discover what a solar photovoltaic power plant is, how it works, its key components, and the benefits of harnessing clean, renewable solar

energy.

[Get Price](#)



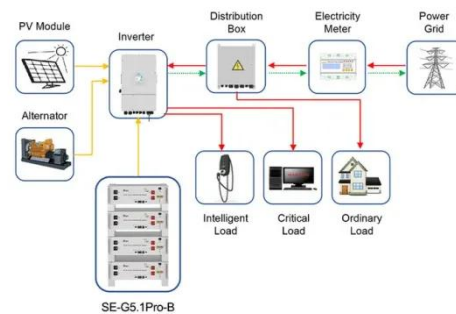
Taipei Energy Conservation New Energy Photovoltaic Energy ...

As the island phases out nuclear power and faces challenges in integrating solar energy with storage solutions, it is also tackling regulatory and land-use hurdles to expand its solar capacity.

[Get Price](#)

Across China: Solar thermal power station generates electricity by

Once in operation, the power station will serve as the basic regulation power supply, forming a clean energy base in a total installed capacity of 700,000 kilowatts together ...



Application scenarios of energy storage battery products

[Get Price](#)

Contact Us

For catalog requests, pricing, or partnerships, please visit:
<https://barkingbubbles.co.za>