

## SolarInvert Energy Solutions

# Grid-scale energy storage



## Overview

---

Grid energy storage, also known as large-scale energy storage, is a set of technologies connected to the electrical power grid that store energy for later use. These systems help balance supply and demand by storing excess electricity from variable renewables such as solar and inflexible sources like.

Any must match electricity production to consumption, both of which vary significantly over time. Energy derived from and varies with the weather on time scales ranging from less.

Electricity can be stored directly for a short time in capacitors, somewhat longer electrochemically in , and much longer chemically (e.g. hydrogen), mechanically (e.g. pumped hydropower) or as heat. The first pumped hydroelectricity was constructed at.

CostsThe (LCOS) is a measure of the lifetime costs of storing electricity per .

• • • (ESaaS) • •

## Grid-scale energy storage

---



**Deye Official Store**

**10 years warranty**

### Grid-Scale Battery Storage: Frequently Asked Questions

As costs continue to decline, jurisdictions are seeking to deploy increasing levels of utility-scale battery energy storage. This Greening the Grid document provides system planners and ...

[Get Price](#)

### Grid Scale Energy Storage: An In-Depth Look

When asked to define grid-scale energy storage, it's important to start by explaining what "grid-scale" means. Grid-scale generally indicates the size and capacity of ...

[Get Price](#)



### Grid-Scale Battery Storage: Green Energy's Next Big ...

If the grid can't bear all the clean energy flowing in at peak periods, it gets curtailed - disconnected and dumped. Grid-scale battery ...

[Get Price](#)



IP65/IP55 OUTDOOR CABINET

ALUMINUM

OUTDOOR ENERGY STORAGE CABINET

OUTDOOR MODULE CABINET

## Electricity explained Energy storage for electricity generation

Energy storage for electricity generation  
An energy storage system (ESS) for electricity generation uses electricity (or some other energy source, such as solar-thermal energy) to charge an ...

[Get Price](#)



### How Grid Energy Storage Works: Unlocking the Future of Power

The global shift towards renewable energy sources has spurred a revolution in how we generate, store, and use electricity. Nowadays, we increasingly rely on intermittent energy ...

[Get Price](#)

### Microsoft Word

Energy storage technologies--such as pumped hydro, compressed air energy storage, various types of batteries, flywheels, electrochemical capacitors, etc., provide for multiple applications: ...

[Get Price](#)



### Grid Scale Energy Storage: An In-Depth Look

When asked to define grid-scale energy storage, it's important to start by explaining what "grid-scale" means. Grid-scale generally indicates the ...

[Get Price](#)

## Grid-Scale Battery Storage Is Quietly Revolutionizing the Energy ...

This energy storage technology is harnessing the potential of solar and wind power--and its deployment is growing exponentially.

[Get Price](#)

## Energy transition: What's going on with energy ...

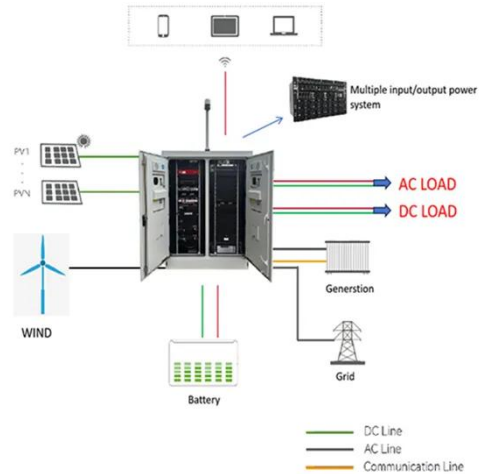
If we can get it right, true grid-scale battery storage won't just be an enabler of clean energy, but a way to upgrade the power system for a new era.

[Get Price](#)

## Rechargeable batteries for grid-scale energy storage

Grid-scale energy storage is essentially a large-scale battery for the electrical power grid. It's a technology that stores excess energy produced ...

[Get Price](#)



### Battery technologies for grid-scale energy storage

In this Review, we describe BESTs being developed for grid-scale energy storage, including high-energy, aqueous, redox flow, high-temperature and gas batteries.

[Get Price](#)

### Energy storage

Grid-scale storage refers to technologies connected to the power grid that can store energy and then supply it back to the grid at a more advantageous time - for example, at night, when no ...



[Get Price](#)

### Grid-scale storage is the fastest-growing energy technology

In 2025, some 80 gigawatts (gw) of new grid-scale energy storage will be added globally, an eight-fold increase from 2021. Grid-scale energy storage is on

the rise thanks to ...

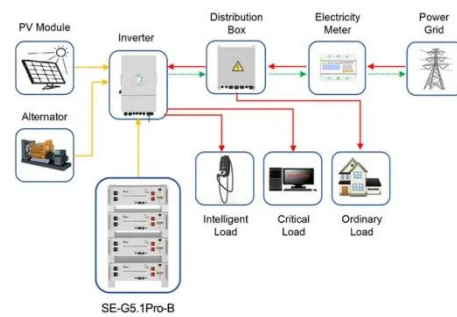
[Get Price](#)



### Climate tech explained: grid-scale battery storage

Not on its own -- but grid-scale energy storage is part of the combination of clean energy technologies that is needed to reach net zero. Most importantly, batteries help ...

[Get Price](#)



Application scenarios of energy storage battery products



### GRID-SCALE ENERGY STORAGE:

Grid-scale energy storage is a longstanding component of power networks and represents any form of technology connected to the power grid capable of storing energy and resupplying it ...

[Get Price](#)

### Climate tech explained: grid-scale battery storage

Not on its own -- but grid-scale energy storage is part of the combination of clean energy technologies that is needed to reach net zero. ...

[Get Price](#)

To Strive forward No Energy Waste



- ✓ All in one
- ✓ 100~215kWh High-capacity
- ✓ Intelligent Integration

## Grid-Scale Battery Storage Is Quietly Revolutionizing ...

This energy storage technology is harnessing the potential of solar and wind power--and its deployment is growing exponentially.

[Get Price](#)

## US Grid-Scale Energy Storage Continues Strong Year with ...

Grid-scale and Residential Sectors to Lead Future Growth The grid-scale and residential segments will continue to lead the market, with grid-scale installations projected to ...

[Get Price](#)

## Battery technologies for grid-scale energy storage

This Review discusses the application and development of grid-scale battery energy-storage technologies.

[Get Price](#)



## Grid energy storage

Energy from fossil or nuclear power plants and renewable sources is stored for use by customers. Grid energy storage, also known as large-scale energy storage, is a set of technologies

...

[Get Price](#)



## Grid-Scale Batteries 101

What are grid-scale batteries? Grid-scale batteries, also known as utility-scale batteries or Battery Energy Storage Systems (BESS), are a ...

[Get Price](#)

## Grid-Scale Energy Storage

Grid-Scale Energy Storage Until the mid-1980s, utility companies perceived grid-scale energy storage as a tool for time-shifting electricity production at coal and nuclear power plants from ...

[Get Price](#)



## Energy storage for grid-scale applications: Technology review and

In conclusion, a storage technology review was conducted by analysing several storage technologies suited for

grid-scale applications, load shifting and energy arbitrage.

[Get Price](#)



### Grid-Scale Battery Storage: Frequently Asked Questions

A battery energy storage system (BESS) is an electrochemical device that charges (or collects energy) from the grid or a power plant and then discharges that energy at a later time to ...

Warranty  
**10 years**

LiFePO<sub>4</sub>

Intelligent BMS

Wide Temp:  
-20°C to 55°C



[Get Price](#)



### Grid-scale energy storage

Grid-scale energy storage has the potential to transform the electric grid to a flexible adaptive system that can easily accommodate intermittent and variable renewable energy, and ...

[Get Price](#)

### Using liquid air for grid-scale energy storage

"With limited options for grid-scale storage expansion and the growing need for storage technologies to ensure

energy security, if we can't ...

[Get Price](#)



### **Grid-scale storage is the fastest-growing energy ...**

In 2025, some 80 gigawatts (gw) of new grid-scale energy storage will be added globally, an eight-fold increase from 2021. Grid-scale energy ...

[Get Price](#)

## **Contact Us**

For catalog requests, pricing, or partnerships, please visit:  
<https://barkingbubbles.co.za>